



# CLX TILT – TURN 160KG

Robust, adjustable and secure



**STAC**



## TILT-TURN **CLX 160KG**

### Tilt-turn and casement windows up to 160 kg

In the modern world market for closure hardware, and in keeping with current architectural trends, the size of glass frontage is constantly increasing. Nowadays, it's not uncommon to find windows weighing 120 kg and we even receive requests for configurations of upto 150 kg.

STAC presents a new configuration which includes new hinges and stays specifically designed for high loads upto 160 kg with characteristics including resistance, mounting and adjustment in accordance with UNE-EN 13126-8 regulation.



Eurogroove



Rapid and simple installation

100%

Compatible with STAC hardware



3D adjustment



Security

### 3D Adjustment

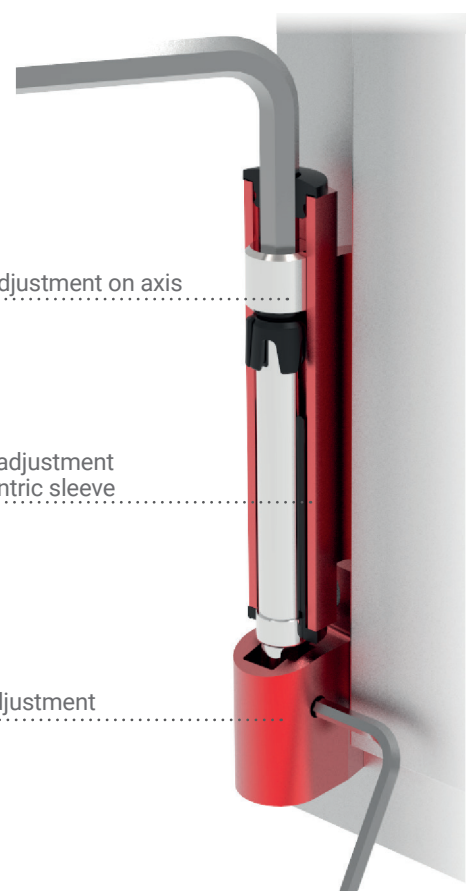
High load windows require simple, effective and direct adjustment which, more than anything, must be robust and long-lasting.

- Height adjustment on axis (+3 mm -0,5 mm) with 5 mm allen key.
- Lateral adjustment  $\pm 1,3$  mm with 2,5 mm allen key.
- +0,3 mm adjustment in closing via eccentric sleeve.

Height adjustment on axis

Closing adjustment via eccentric sleeve

Lateral adjustment



# Security

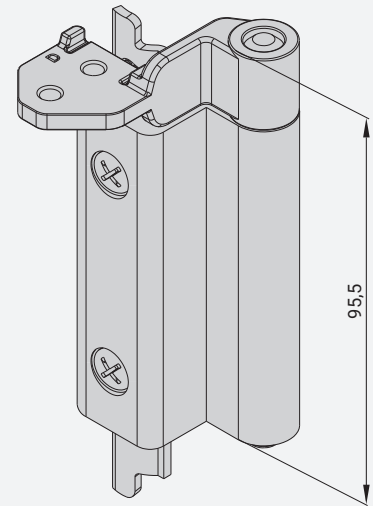
Extra security measures have been incorporated:

- Security pin on the counterplate of the lower opening window hinge sash. This prevents the window sash from falling in the event of the counterplate breaking as a result of strong impacts or movements which could affect the functioning of the hinge.
- Security retainer in the upper frame hinge sash which avoids the possibility of the frame channel breaking.

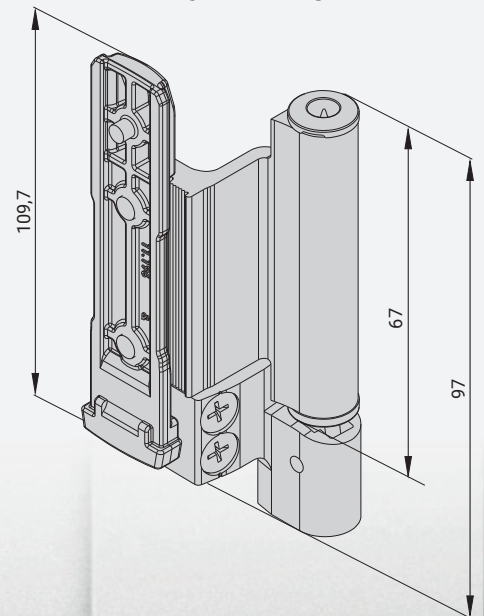
Security pin



UPPER HINGE



LOWER HINGE



# Resistance in use

Samples have been tested in accordance with the specifications set out in UNE-EN 13126-8 regulation. The results were way above that stipulated.

# Complete range of finishes

Epoxy resin lacquer: in all the full range of RAL finishes

Anodized: Available in Natural Matte and Inox Matte

\* The anodized finish has a resistance of 120 kg max.



References

www.stac.es



T1113	D	**	
	I		

ACTIVE SASH KIT

T1114	D	**	
	I		

PASSIVE SASH KIT

T1133	D	**	
	I		

Sirius cremone

T1118	D	**	S
	I		

T1139	D	**	
	I		

EVO Security

S1139	D	**	
	I		

Sirius cremone

T1132	D	**	S
	I		

T1123	D	**	
	I		

Icon key

- Eurogroove
- Product valid for locking to inverter
- Product valid for tilt before turn windows
- Product valid for locking to frame
- 
- 
- 

Units per case



Weight <120 kg: use any friction stay of Eurogroove range

Weight >120 kg: always use with friction stay T110301 for traditional action or T110304 for tilt-before-turn system.

**STAC CENTRAL España**  
 Pol. industrial Picusa s/n  
 15900 Padrón (A Coruña)  
 T (+34) 981 817 036  
 F (+34) 981 817 037  
 ✉ comercial@stac.es

**STAC Polska**  
 Ul. Kluczevska 2A  
 32-300 Olkusz  
 T/F (+48) 322 630 740  
 ✉ polska1@stac.es (South)  
 ✉ polska2@stac.es (North)

**STAC Maroc**  
 Route nationale 1 Km, 92  
 Comune Rurale Laouamra  
 Larache  
 T (+212) 539 521 136  
 F (+212) 539 521 136  
 ✉ maroc@stac.es